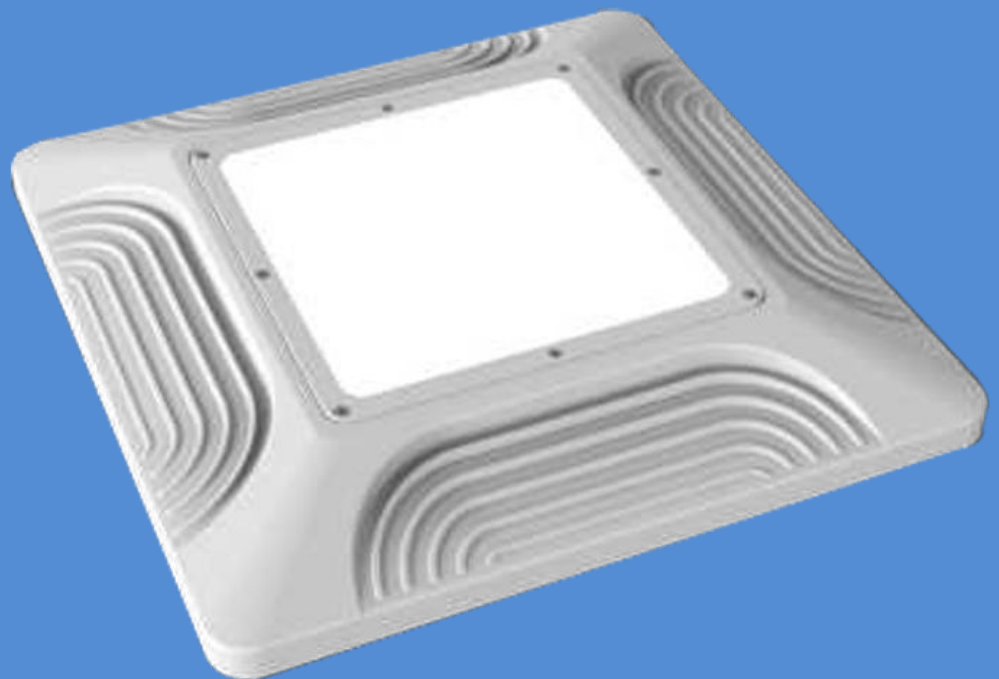


LN Lighting technical data

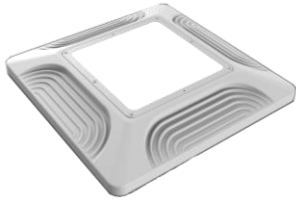
LED 140W CANOPY LIGHT

Lighting technical data

LED 140W CANOPY LIGHT is an alternative light source with longer life and uniformed light distribution



LED CANOPY LIGHT



Model No.	Watts(W)	Light Output(lm)	Dimension(mm)	Light Color(K)	Beam Angle(Degree)
LN-CPXW140-U-N-QW-W-E-C-D00	140±10%	14000-10%	382*382*287.5 MM	5000K	120

Technical Specifications

Item	Test Conditions	Min.	Typ.	Max.
Input Voltage(V, rms)	AC	100	220	277
Input Current(mA, rms)	AC(220V)	---	635	---
Input Power(W, rms)	AC(All)	---	140	---
Input Frequency(Hz)	AC	---	50Hz/60Hz	---
Power Factor(PF)	AC(All)	≥0.9		
Output Voltage(V)	DC	71	72	73
Output Current(A)	DC	1.73	1.73	1.73
Output Power(W)	DC	122	125	128

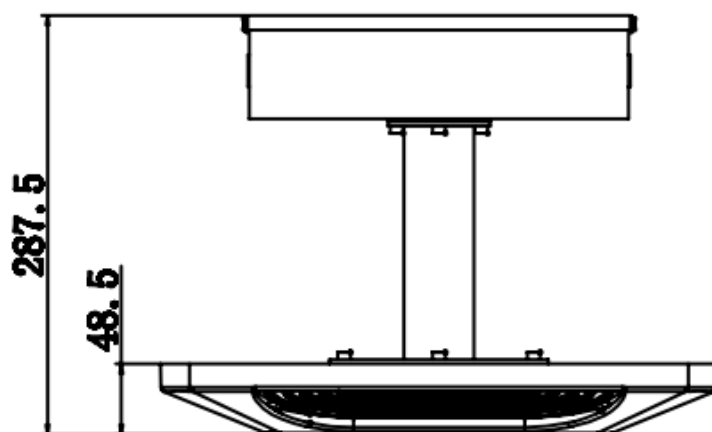
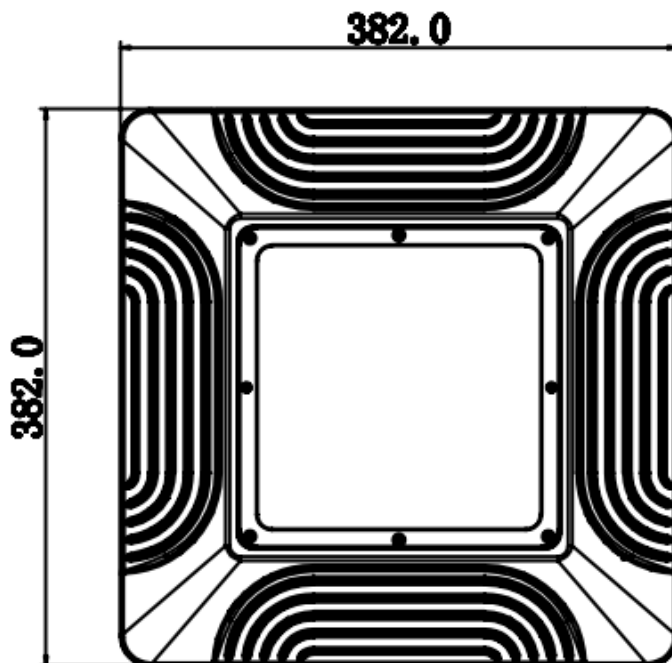
Environmental Requirements

Specifications	Values
Operational Temperature Range	-40~40℃
Preservation Temperature Range	-40~90℃
Operational Humidity Range	95% Rh or below (@-40~40℃)
Installation Area	Outdoor (Counter,Residential,Commercial,etc)

LED CANOPY LIGHT



Drawing



Material	
radiator: ADC12	Outdoors
lens: PC	

LED CANOPY LIGHT



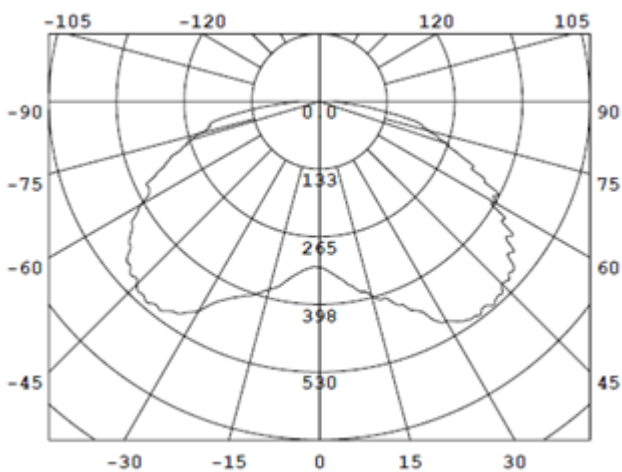
LN-CPXW140-U-N-QW-W-E-C-D00

Category	Specifications	Unit
Watts	140	W
Lumens per Watt(Efficacy)	100	Lm/W
Light Output	14000	lm
Light Color(CCT)	5000	K
Beam Angle	120	°(degree)
Color Accuracy(CRI)	80	Ra
Product Weight	5.20	KG
Rating Life	50000	H

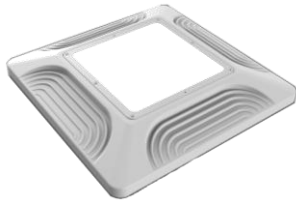
Luminance Intensity Distribution

Cone Lux Diagram

Base	Line interface	
Input Voltage(AC)	220	V



LED CANOPY LIGHT



Product Packaging	Specifications	Unit
Product Dimension	382*382*287.5 mm	mm
Net Weigh	5.20	Kg
Size of box	410*410*200MM	mm
Gross Weight	5.8	Kg
Size of Carton	410*410*200MM	mm
Qty/ Carton	1	PCS
Weight/ Carton	5.8	Kg

Revision History

MTime	Changed to: VER	Description of Change		
		Item	From	To