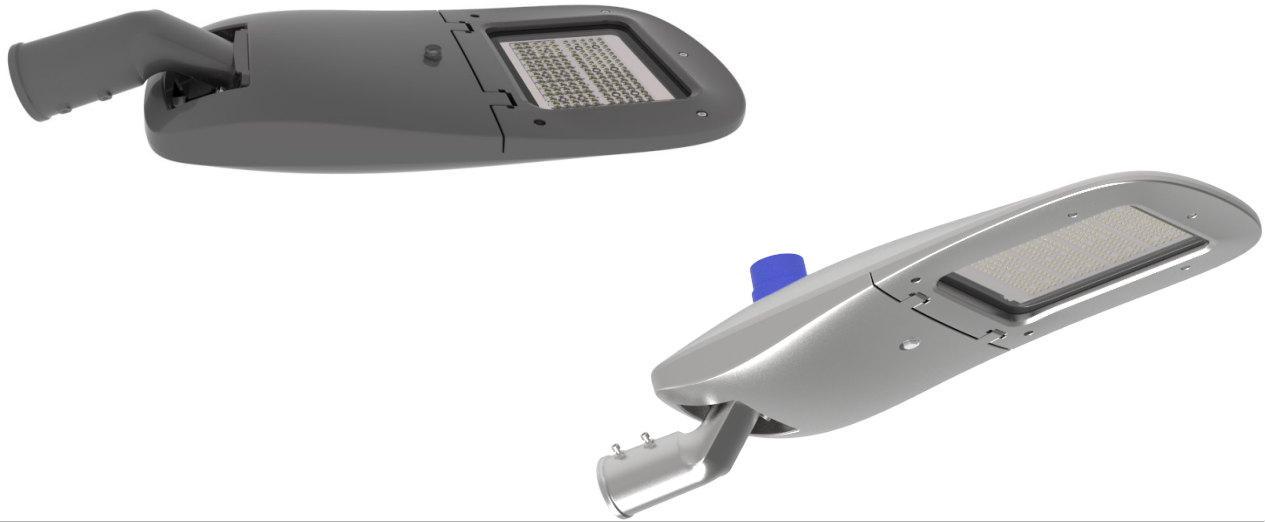


Cobra Head LED Street Light

YL-SH340/ YL-SH365



1.Application

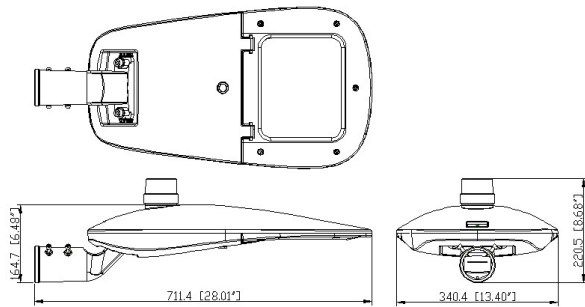
Highway; Road, Street; Garden; Park; School; Factory; Shopping Mall; Parking Area.

2.Product Feature

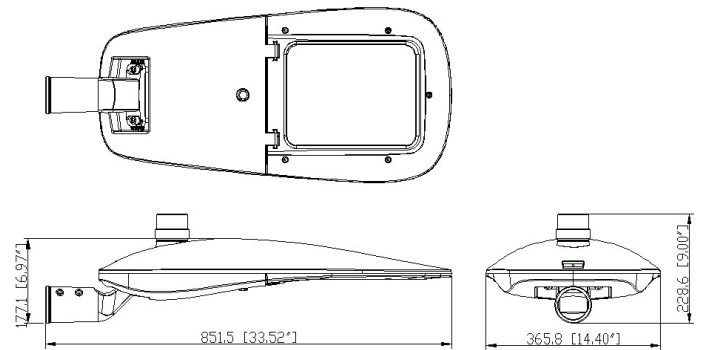
- (1) Beautiful shape like a cobra head
 - (2) No tool using for opening the driver shell or box; easy to repair and replacement for LED and LED driver
 - (3) Mount: Horizontal mount and Vertical mount for choice; Adjustable for mounting angle; Horizontally: 15~+15 degree adjustable; Vertically: 15~+15 adjustable.
 - (4) Clean back cover without dust and leaves staying on the fixture
 - (5) Motion sensor and Photocell sensor could be easily added
-

3.Dimension

YL-SH340 series



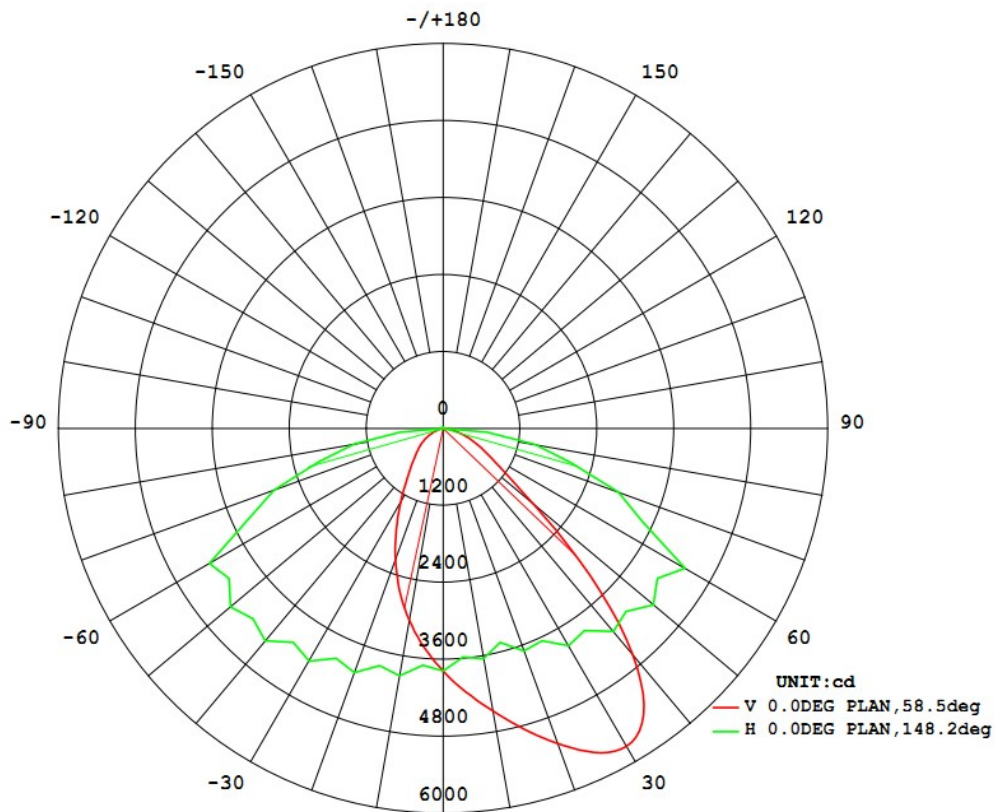
YL-SH365 series



4.Parameter

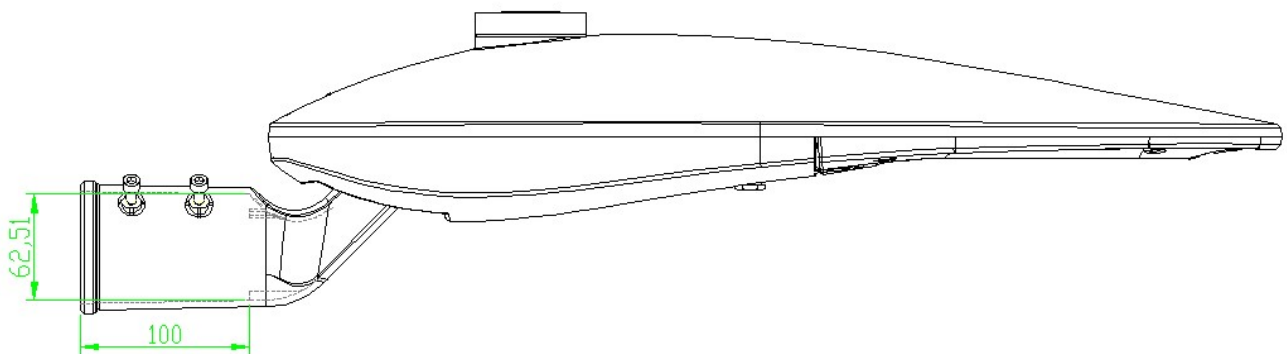
| Item | CCT | Lumens | Power | Dimension/MM | N.W. | G.W. |
|----------------------------------|-------|----------|--------|---------------|--------|--------|
| YL-SH365-W180 | 5000K | 24000LM | 180±6W | 852*366*177mm | 11kg | 12kg |
| YL-SH365-W150 | 5000K | 20000 LM | 150±5W | 852*366*177mm | 10.5kg | 11.5kg |
| YL-SH365-W120 | 5000K | 16000LM | 150±5W | 852*366*177mm | 10.5kg | 11.5kg |
| YL-SH340-W100 | 5000K | 13400LM | 100±5W | 710*340*165mm | 7.5kg | 8.5kg |
| YL-SH340-W090 | 5000K | 12000LM | 90±4W | 710*340*165mm | 7.5kg | 8.5kg |
| YL-SH340-W060 | 5000K | 8000LM | 60±3W | 710*340*165mm | 7.2kg | 8.2kg |
| YL-SH340-W030 | 5000K | 3900LM | 30±3W | 710*340*165mm | 6.9kg | 7.9kg |
| LED: Lumileds 3030 | | | | | | |
| 3000-6500k for choice | | | | | | |
| AC 85V~265V | | | | | | |
| Beam angle: 85*135 | | | | | | |
| PF>0.93 | | | | | | |
| Working Temperature: - 40 ~ 50°C | | | | | | |

5. Beam angle and distribution Curve



6. Installation instruction

Pole Diameter: 60MM



7. Structure of the fixture



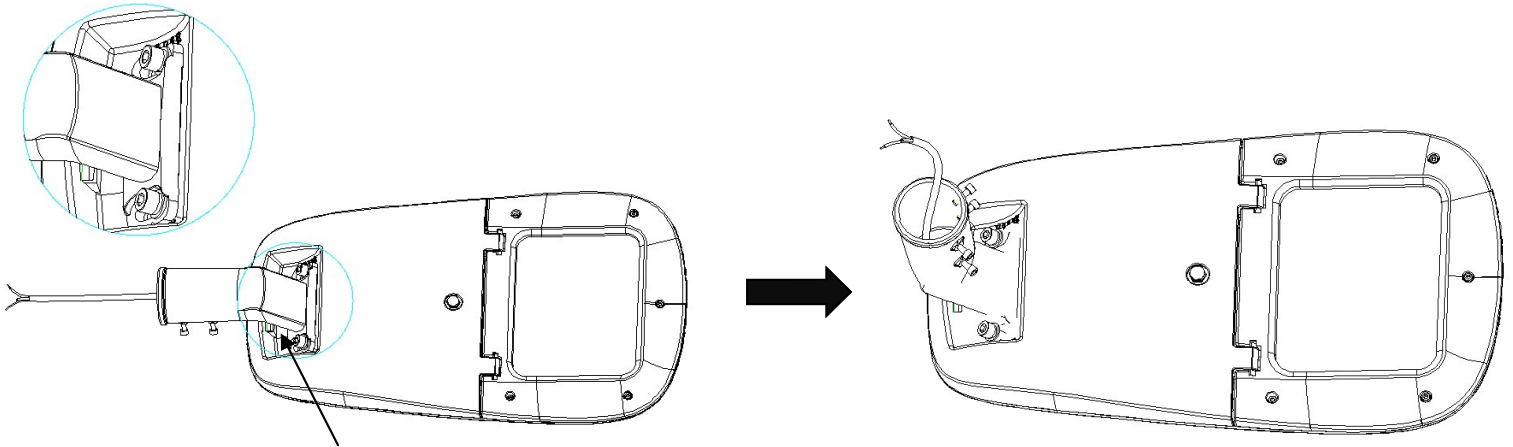
8. Installation instruction



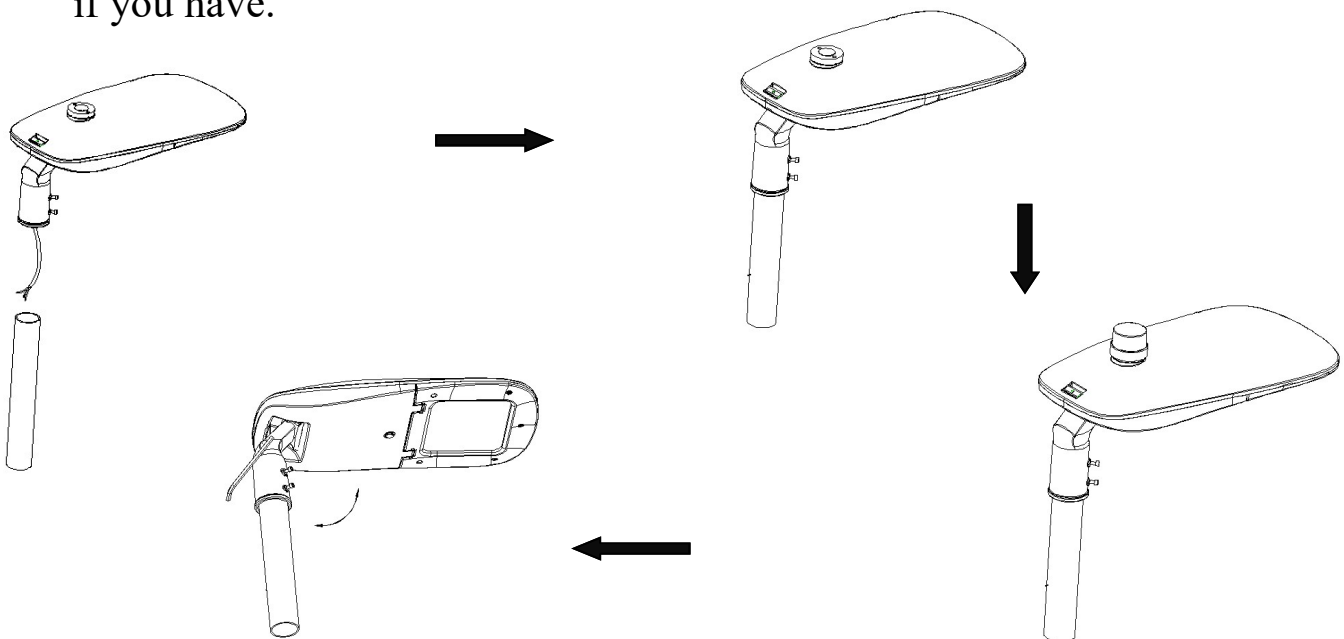
9. This series street could be mounted vertically or horizontally:

Vertical Mounting

1. 1 Take out the fixture from the carton, loosen the screws, twist the mount at 90 degree ones; and then fix the screws finally.



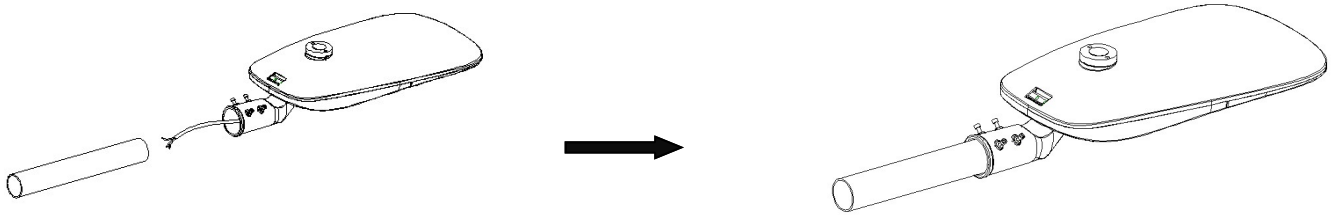
1. 2 Wire the fixture according to L(Brown)、N (Blue) 、PE(Green-Yellow), and top mount the fixture on to a straight pole. Adjust the fixture in an angle which you want, Then fasten the screws. Add the photocell sensor if you have.



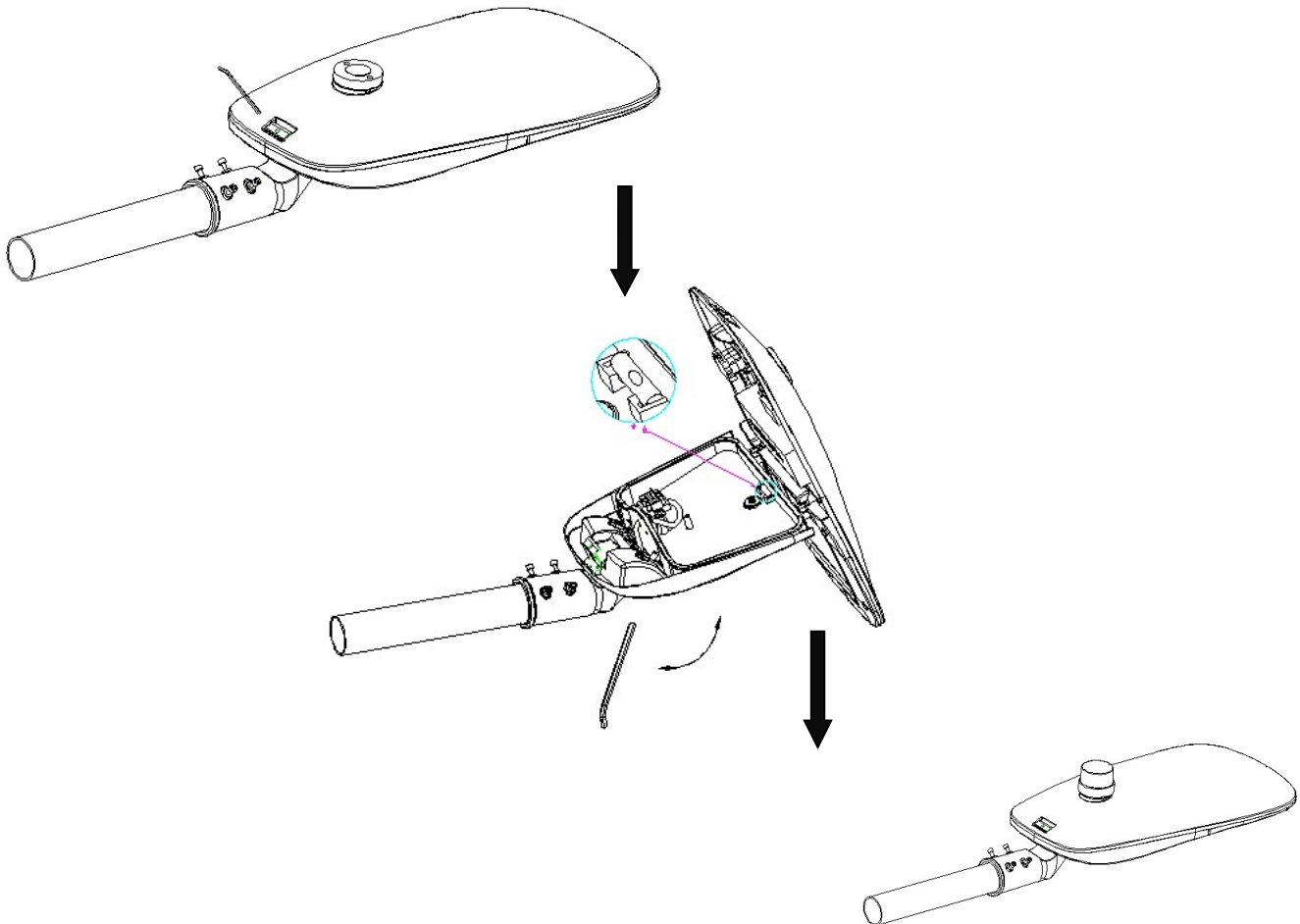
This series street could be mounted vertically or horizontally:

Horizontal Mounting

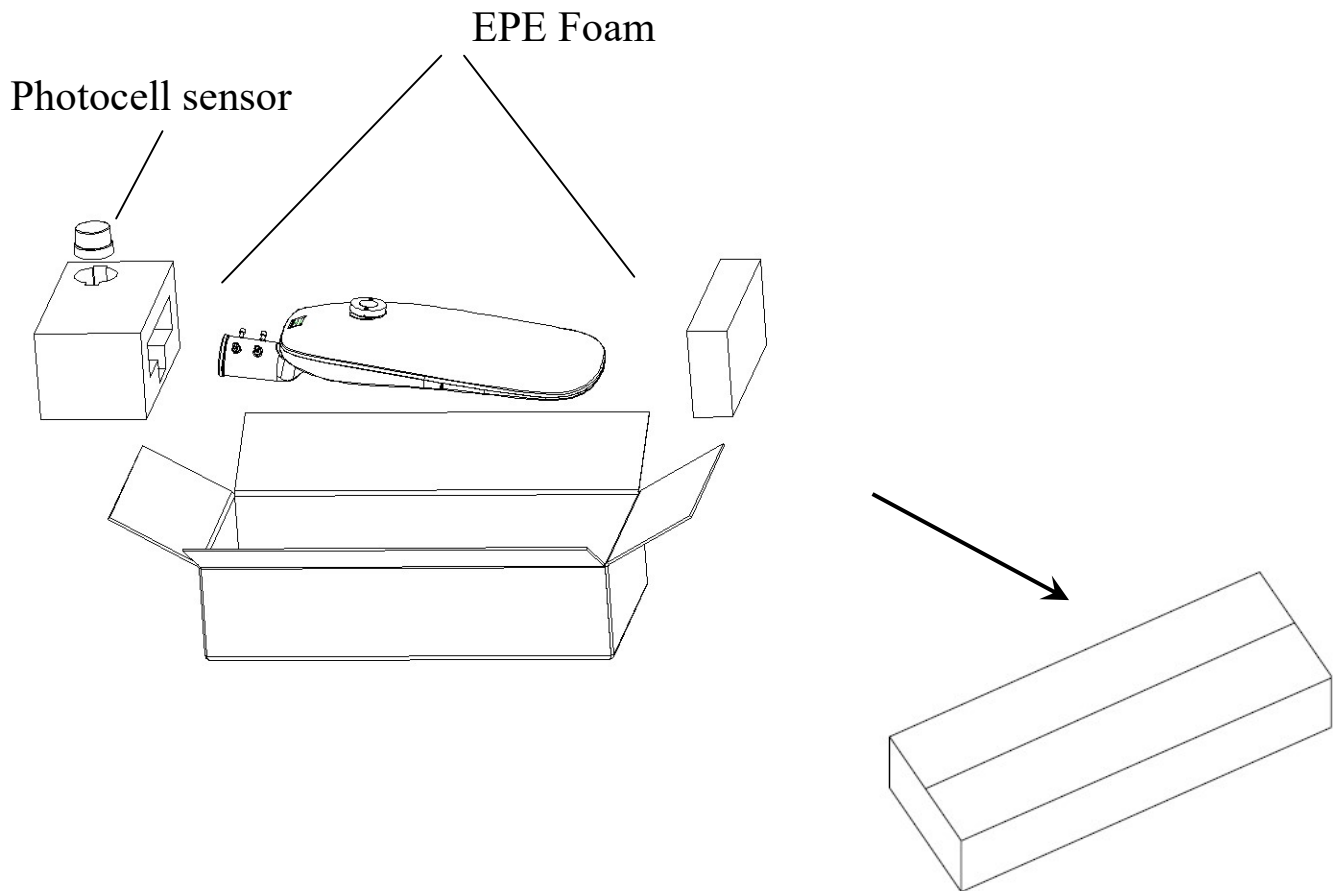
2.1 Take out the fixture from the carton, install the fixture directly into a pole or arm; and then fix the screws.



2.2 Use a screw driver to get into the spring point, easily open the back cover of the fixture. Adjust the fixture to a horizontal level according the level meter device inside the fixture. And then after close the back cover shell, fasten the screws to a fixed status



10.Package



11.Installation Attention

- Before maintenance ,please ensure the light have been powered off already, make sure the installation position can bear the weight of the luminaire.
- Ensure install the lamp with right way in case it fell off .
- Pls don't cover anything on the lamp.
- Do connect the ground wire for safety.
- 5 years warranty since purchase date.
- Decomposition, modification, or failure caused by improper construction is not within the scope of this warranty