

.....GL-018



**to be  
the BEST  
LED Garden Light**

# Innovative solutions

# Sustainable performance

## Innovative solutions

The GL-035-02 was created to help those responsible for lighting our parking and road succeed in their lighting design goals. Powered by the YILIN led garden light, the featuring innovative thermal management design, the GL-018 offers exceptional performance and value.

This versatile luminaire can be tailored to the unique specifications of each project by offering multiple LED boards and wattage options.

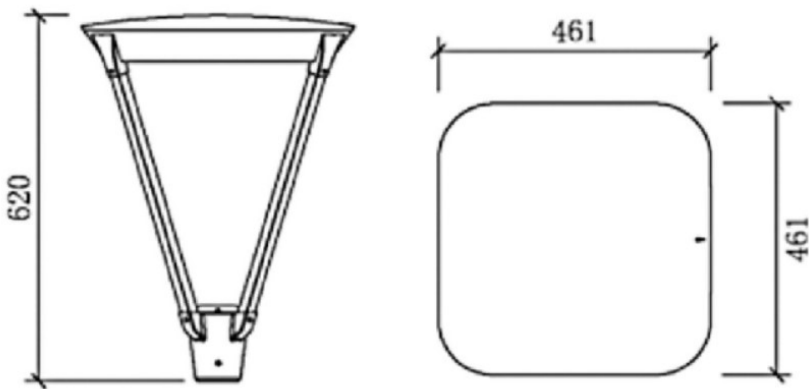
## Sustainable performance

Utilizing Meanwell /Moso / LED driver, and BridgeLux LEDs, the GL-018 provides exceptional energy efficiency. This luminaire is manufactured with fully recyclable aluminum castings and extrusions that help to protect our environment for years to come. Energy efficiency is enhanced with optional dimming, programmable drivers, and outdoor control systems.



# Dimensions

Wattage	Weight		Length		Width		Length	
	lb.	kg.	In.	mm.	In.	mm.	In.	mm.
GL-018-30W	16.7	7.6	1.5	461	1.5	461	2	620
GL-018-40W	16.7	7.6	1.5	461	1.5	461	2	620
GL-018-50W	16.7	7.6	1.5	461	1.5	461	2	620
GL-018-60W	16.7	7.6	1.5	461	1.5	461	2	620
GL-018-80W	16.7	7.6	1.5	461	1.5	461	2	620



# Technical Parameter

Series No.	Wattage	Input Voltage	Color Temperature	Lumen Efficiency	Color of Housing	Mounting Way
GL-018	30w 40w 50w 60w 80w	Normal: 100~240V AC  North American: 100~277V AC 480V AC  Solar System: 12V DC 24V DC	Cool White: 5000K  Day White: 4000K  Warm White: 3000K  Customized CCT	Normal bright: 150-160 lm/w (chips)  @ CRI ≥ 70	Normal : Black  Customized color (MOQ ≥ 50 PCS)	Horizontal mounting with 0°

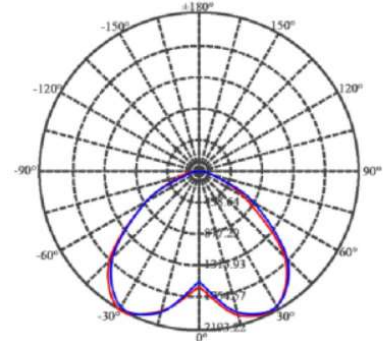
# Electronics

Item No.	Number of LEDs	Lamp Wattage	System Wattage	Max. System Current	LED Current
GL-018-30w	48pieces	30w	31w		
GL-018-40w	48pieces	40w	42w		
GL-018-50w	64pieces	50w	53w		
GL-018-60w	64pieces	60w	63w		
GL-018-80w	80pieces	80w	83w		

# SMD 3030 Chips

## Technology

- Use philips 3030 high efficiency chips
- Use Silver plated Copper base, thermal resistance is small
- More safe circuit design
- Patented Formula---fluorescent powder & potting adhesive Better CRI, Higher Luminous Efficiency, Lower Lumens Depreciation
- Use best encapsulation equipment

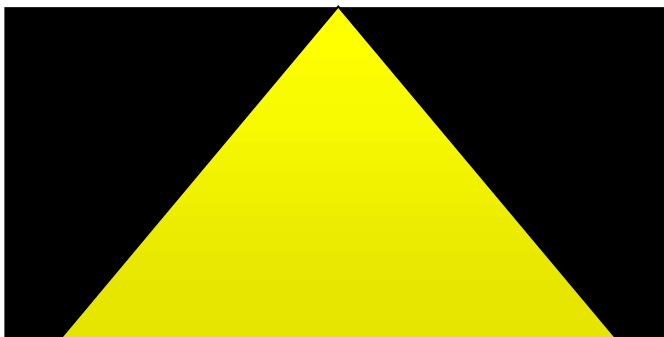


HB-053

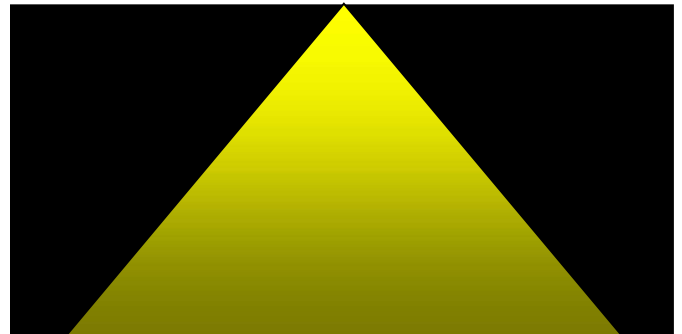


## 3030 Advantage

- High power chips, low driver current lumen maintenance rate --high
- Use best encapsulation equipment Good product stability
- The penetration light of 30 is strong. Especially the rain and snow day, fog, dust days
- Patented Formula Technology . CCT easy control quality consistency



The penetration light of HB-018 is strong.

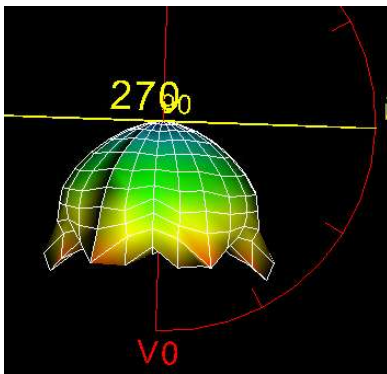


It's bright around the competitor's lamp, but it's dark on the ground.

# Photo-metric Parameter

## Optical Glass Lens

- High-crystalline optical level glass lens
- High light transmittance
- Without aging, non-yellowing, non-shattering glass
- Good heat resistance, will no absorb dust



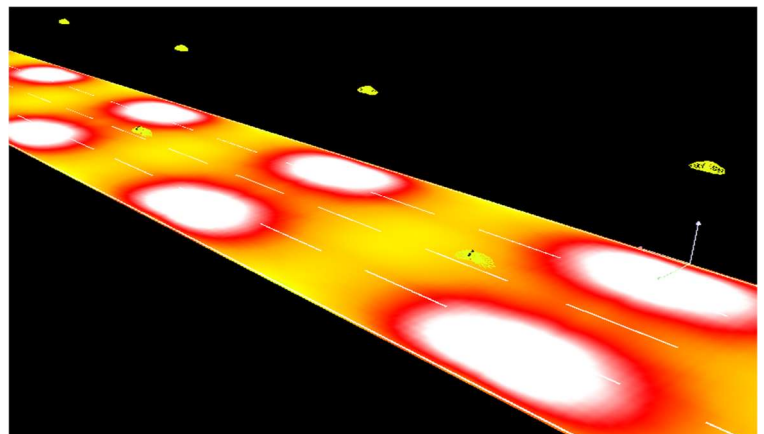
Type V (without len)

## Great photo-metric performance

- every generation Lens shall be designed strictly, preferred the light distribution
- beam angle can be 90°, high uniformity, to prevent glare
- full consideration of glare and light environment factor

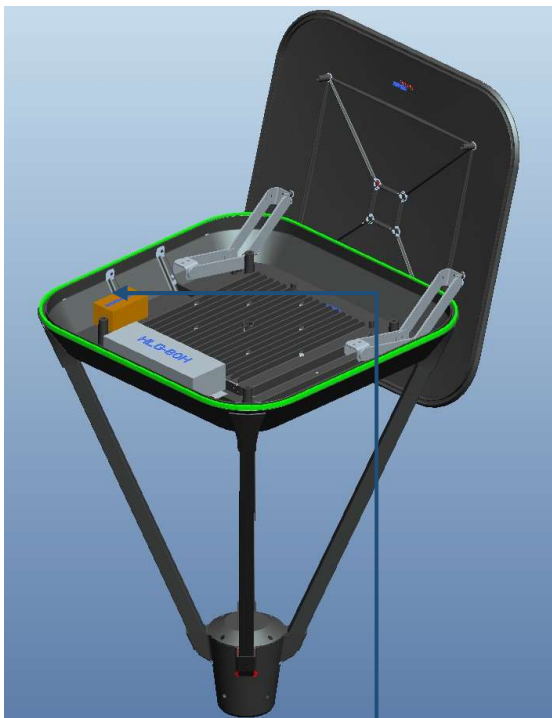
## Simulation Report

Power	50w
Width of road (W)	7m
Pole Distance (S)	20m
Mounting Height (H)	6m
Arrangement	Double row symmetry
Overhand Angle	0°
Light Loss Factor	0.88
Average Illumination	15 lux
E <sub>max</sub>	28 lux
E <sub>min</sub>	9.71 lux
E <sub>min</sub> /E <sub>av</sub>	0.350

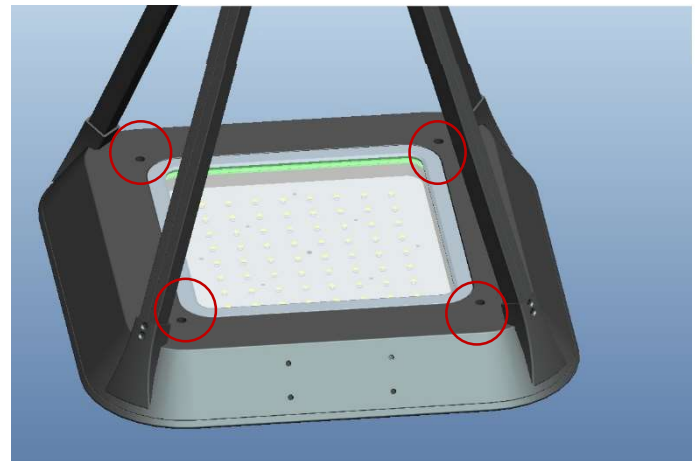


# Thermal Management

Built-in radiator structure, more smooth appearance, enough space for power supply, easy to split installation, can save transportation costs



Surge protectors can be installed



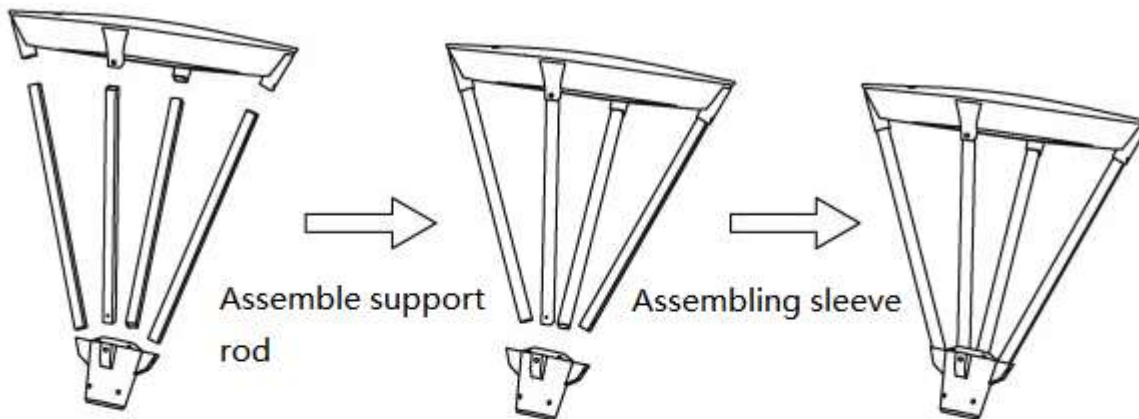
Loosen the screws and open the top cover

Ground glass design, place dazzling light, make the overall environmental effect more harmonious, comfortable.

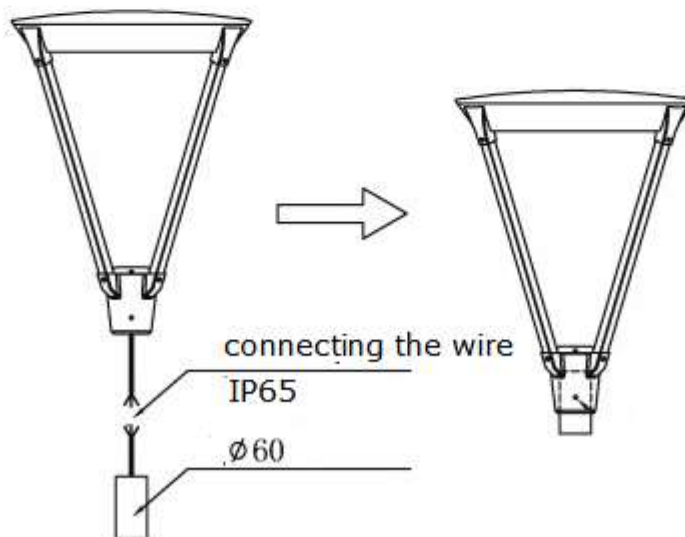


# Maintenance

Step 1: Fittings assembly, screw fixation



Step 2: Connecting the wires



**Warning:** When flexible wire is broken, please cut off the power immediately, avoid short circuit. When the outer insulation cable is broken, it should be changed by manufacture, supplier or professional electrician, lest danger occurs!