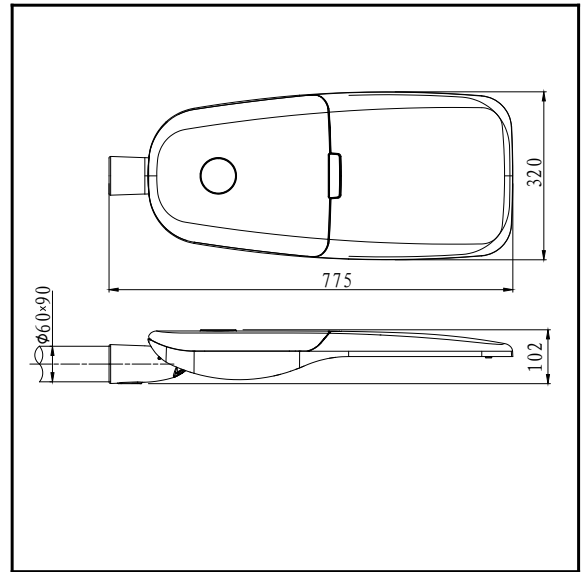




The photograph may not match the reference exactly. Please read the product description to identify the finish.



TECHNICAL CHARACTERISTICS



Type:	Street Lighting		
IP Protection degrees:	IP66		
IK Protection degrees:	IK10		
Light source 1:	48xLED CREE 100W Warm White - 4000K 9900lm ^(N) CRI 70	64xLED CREE 150W Warm White - 4000K 14100lm ^(N) CRI 70	64xLED CREE 180W Warm White - 4000K 16700lm ^(N) CRI 70
Total power consumption (W):	100.3	150.3	180.7
Voltage / Frequency:	100-240V/50-60Hz		
Warranty (Years):	5		
Units per box:	1		
Net Weight (Kg):	9.4/9.8	9.4/9.8	9.8/10.2

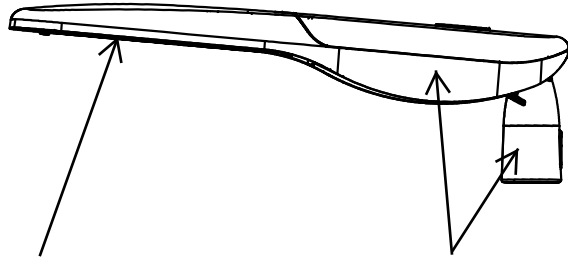
MATERIALS / FINISHES

Structure material: High purity aluminium	aiffuser material: Glass
Structure finish: Silver	Diffuser finish: Transparent

GEAR

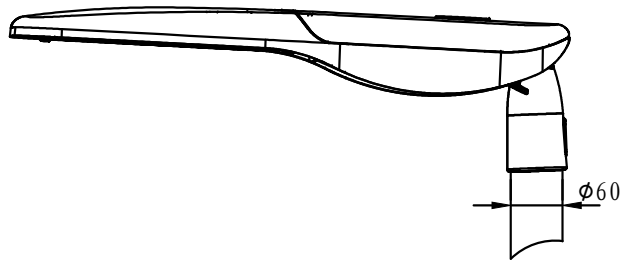
Multi-voltage electronic gear included (110-240 V / 50-60 Hz)

Lm^(N): Nominal flow of light in actual working conditions. Its actual flow will depend on the environmental conditions and the efficiency of the optics and/or diffuser.



Ultra-white glass

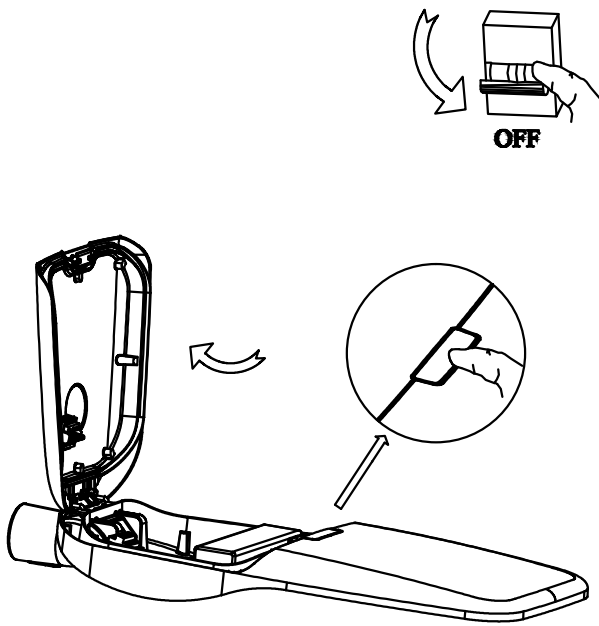
High purity aluminum



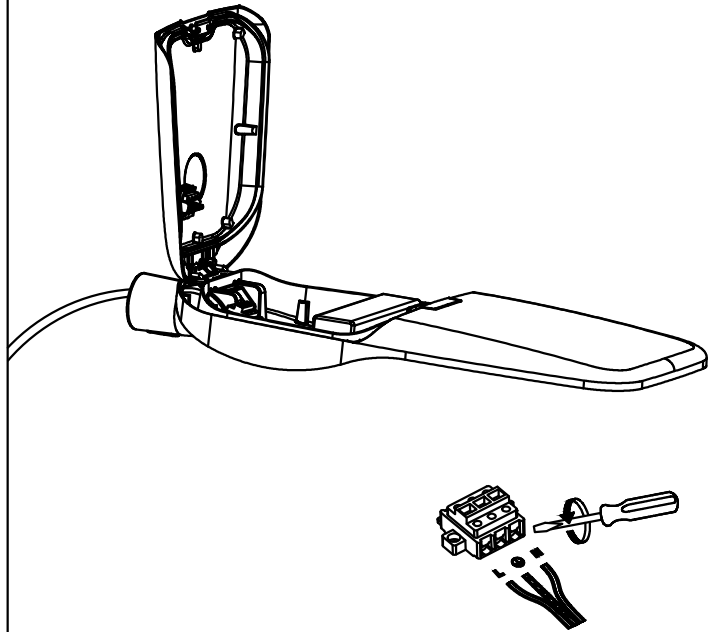
installation template

OUTDOOR

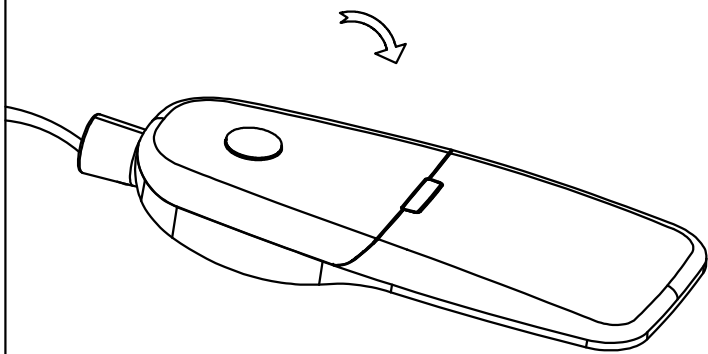
①



②



③



④

