

The photograph may not match the reference exactly.
Please read the product description to identify the finish.

TECHNICAL CHARACTERISTICS



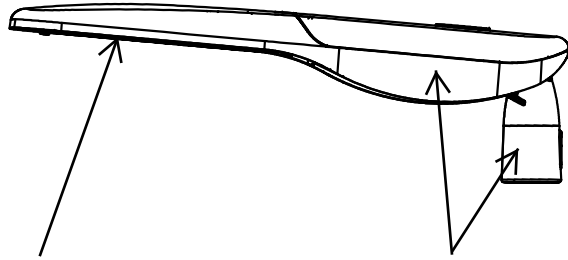
Product Model:	D-170SLED40-24	D-170SLED60-24	D-170SLED60-32	D-170SLED80-32	D-170SLED100-48
IP Protection degrees:	IP66				
IK Protection degrees:	IK08				
Light source:	24 x LED CREE / 24 x LUXEON 5050		32 x LED CREE / 32 x LUXEON 5050		48 x LED CREE / 48 x LUXEON 5050
Total power consumption:	40W	60W	60W	80W	100W
Luminous Flux:	4400-5000Lm	6300-7200Lm	6500-7400Lm	8500-9600Lm	10000-12000Lm
Luminous efficiency:	100-125Lm/w				
Color temperature:	4000K as standard. Optimal 2700K, 3000K & 5700K. Amber LED available				
Voltage/Frequency:	100-240V/50-60Hz				
Warranty(Years):	5				
Units per box:	1				
Net Weight(Kg)	6.5	6.5	6.5	6.6	6.6

MATERIALS / FINISHES

Structure material: High purity aluminium	aiffuser material: Glass
Structure finish: Silver	Diffuser finish: Transparent

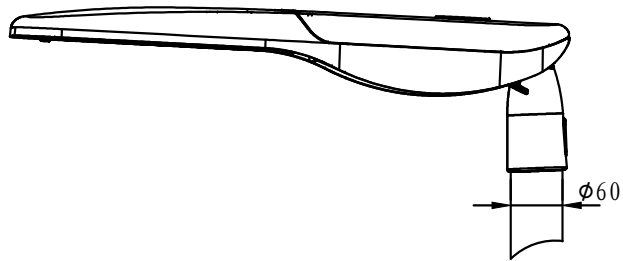
GEAR

Multi-voltage electronic gear included (110-240 V / 50-60 Hz)



Ultra-white glass

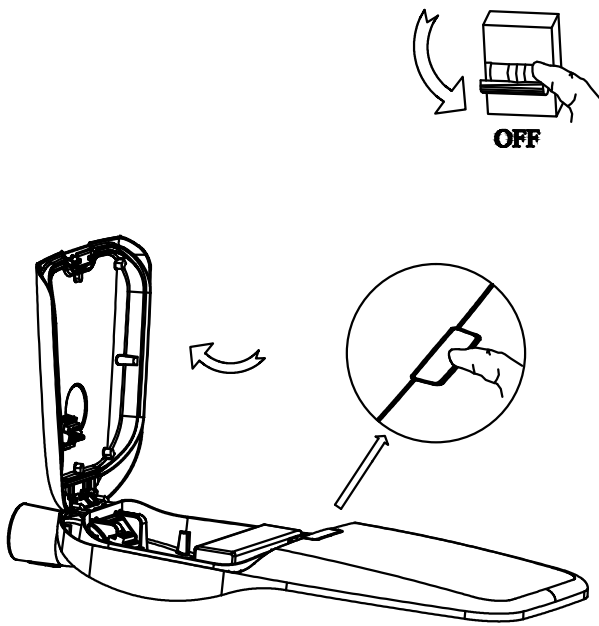
High purity aluminum



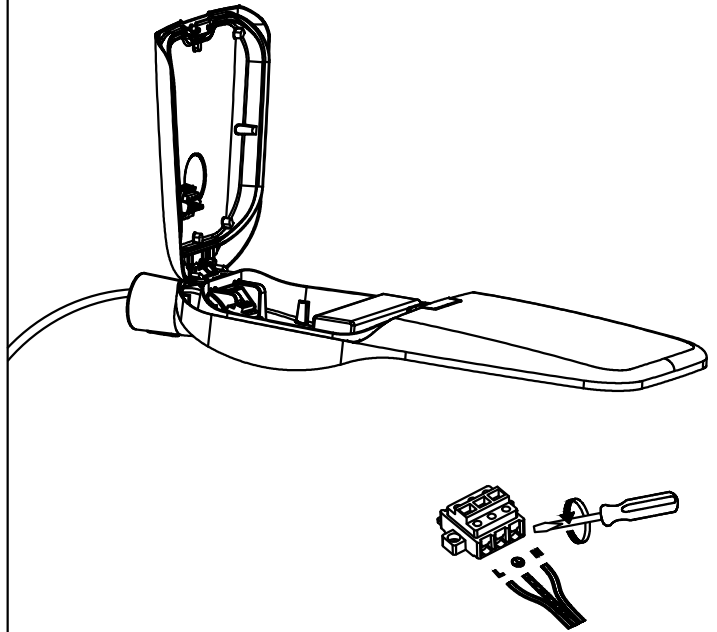
installation template

OUTDOOR

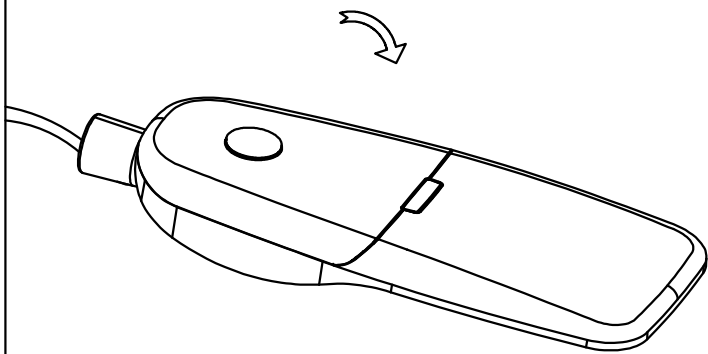
①



②



③



④

